

RLS34-45/S15-2BP OPTICAL FRAME SENSOR

- automatic self adjustment
- 1 and 2 channel operation (automatic switching)
- reduced sensitivity against dust
- high speed detection
- permanent pulse stretch of 10ms

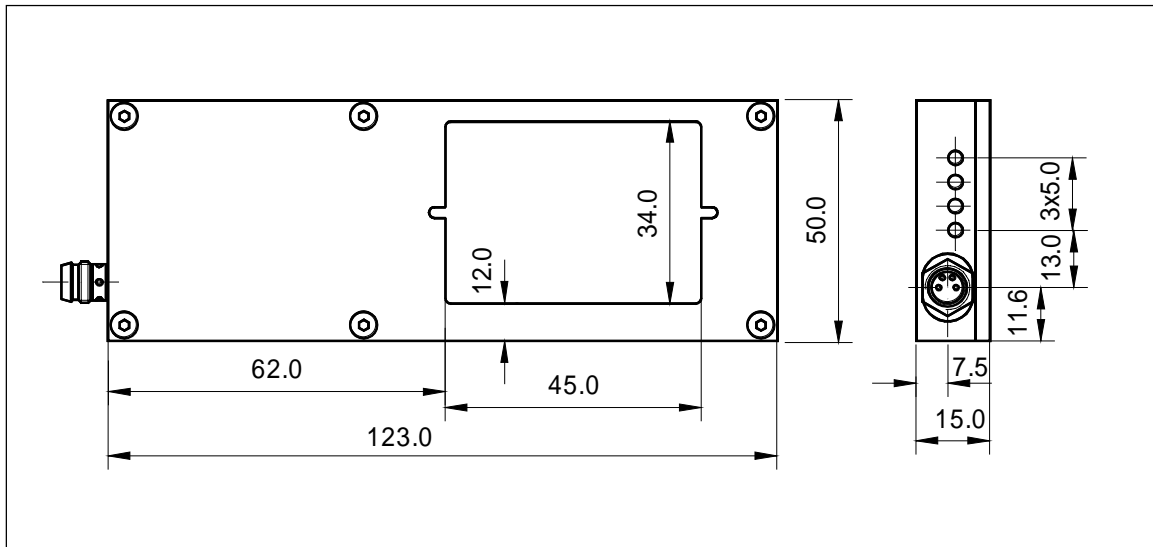


RLS34-45/S15-2BP

TECHNICAL DATA

| | | |
|--------------------------------|---|--|
| Number of Channels | 1 or 2, channel partition insert 2mm wide (partition is 1.9mm +/-0.15mm, sensor partition opening is 2.09mm +/- 0.15mm) | |
| Channel Mode Selection | Automatic | |
| Calibration Method | Automatic | |
| Supply | Voltage | 24V ripple < 10% within specified limits |
| | Current Consumption | 50mA - normal 150mA - maximum |
| Setup Time | Time from Power Application | 1 s |
| Response Time | t _{on} to t _{off} | 150µs |
| Temperature | Operating | 0°C to 60°C |
| | Storage | -10°C to 60°C |
| Outputs | Maximum Output Current | PNP, 100mA/Channel |
| | Residual Voltage at 100mA | < 2V |
| | Residual 10mA | < 1.5V |
| | Pulse Stretching | 10ms permanent |
| Switching Function | Dark-on | |
| Spectral Output | Wavelength-Peak | IR 880nm |
| Electrical Protection | Output | Short Circuit Proof |
| | Input | Reversed Polarity Protection |
| Electronics Shock Prot. | Electronics completely potted | |
| Objects to be detected | speed | 2000 parts per minute |
| | size | Ø 4mm in Single- and Dual Channel Mode, guaranteed |
| Protection Class | IP65 | |
| Housing | Material | Clear anodized Aluminium |
| | Outside Dimensions (l x w x t) | |
| | Dimensions „Window“ (l x w) | 45mm x 34mm |
| | Sensor Dividing Plate (optional) | |
| Supply Connection | 4pin Pico M8 connector | |

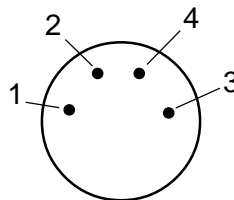
DIMENSIONS



CONNECTION DIAGRAM

connector M8 4-pin

| | |
|-----------|-------|
| 1 (brown) | + VDC |
| 2 (white) | out 2 |
| 3 (blue) | - GND |
| 4 (black) | out 1 |



PART DESIGNATION

RLS34-45/S15-2BP