

RLV385RN

MICRO REFLECTIVE BEAM SENSOR
with separate amplifier

- ➔ latest LED technology
- ➔ extra narrow beam angle (small light spot)
- ➔ superfine sensing distance
- ➔ extremely small size
- ➔ minimum weight



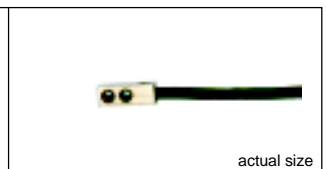
nano • SPOT®
nano • SPOT® is a new and powerful LED technology for miniaturized opto sensors

RLV385RN

TECHNICAL SENSOR DATA

light type	red 645nm
connection type	2 x 1m PUR cable with connector
temperature range	-10°C...+55°C
protection class	IP65

- 8mm x 3mm x 5mm
- nickel-plated brass
- for screw-on fixture



TECHNICAL DATA

sensing distance*	20mm**
sensing distance on reflector R35	500mm

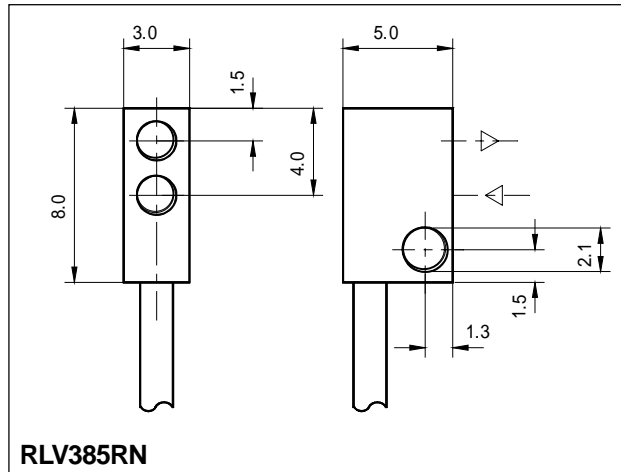
*min. detecting distance 5mm

**on white non glossy paper (90% remission, 100x100mm)

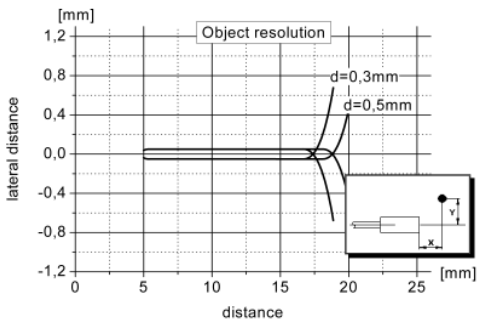
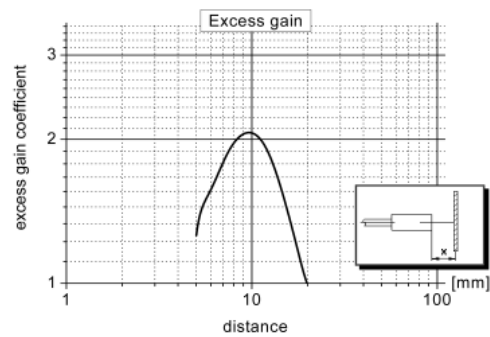
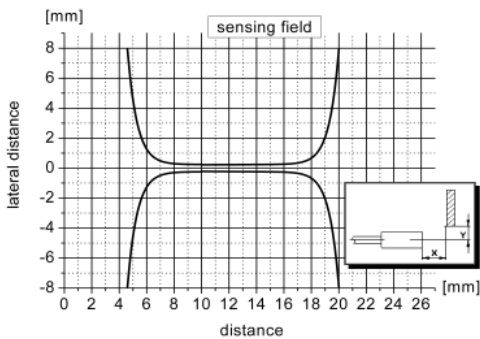


beam spot at 20mm distance

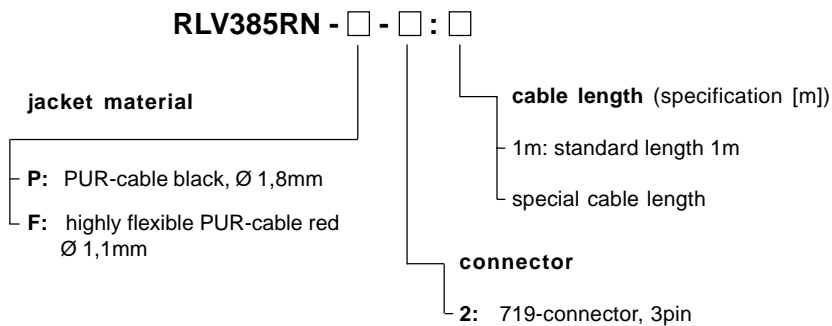
DIMENSIONS



GAPHS (Obtained with V9 on max. sensitivity adjustment)



PART DESIGNATION



ORDER EXAMPLE::

RLV385RN-P-2:1m = RLV385RN - PUR-cable black - 719-connector, 3pin: cable length 1m

Please remember, for correct operation, a separate amplifier is required.