

V8

The Analogs

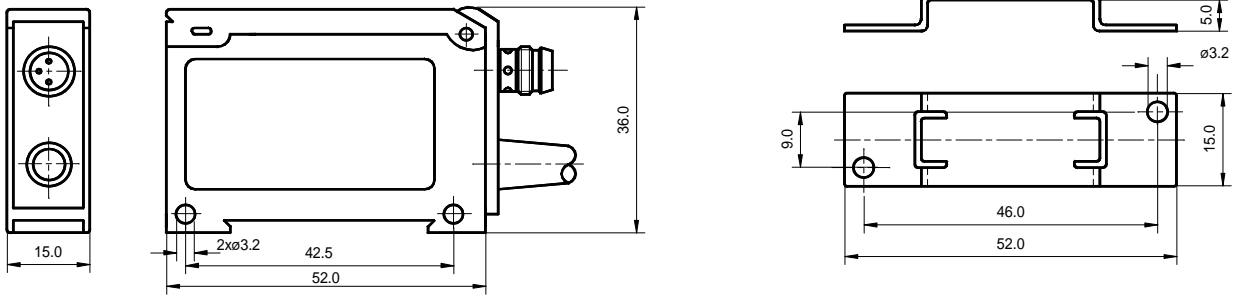
- ◉ 0...10 V oder 4...20 mA
- ◉ absolute- or relative operation modes
- ◉ 10bit resolution
- ◉ compatible with all STM optosensors
- ◉ optional plug-in power supply



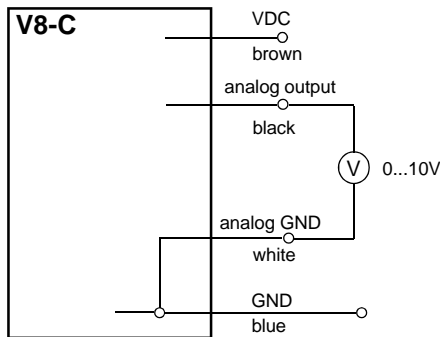
GENERAL TECHNICAL DATA

	V8-C	V8-D
functional principle	pulsed	
max. frequency response	500 Hz	
power supply indicator	LED green	
function indicator	3 x LED yellow, 1 x LED red	
response time	1 ms	
supply voltage	15-30 VDC (max.)	
output	voltage output 0 - 10 V	current output: 4 - 20mA
current consumption	average: 50mA / peak: 200mA	
weight	approx. 60g	
housing material	ABS/Polycarbonat	
operating temperature	-10°C to +50°C	10°C to +45°C
protection class	IP 65	
power supply cable	2 m PVC-cable 4 x 0,14 mm ²	
optional plug-in power supply	option -01, M12, 5pin option -02, M8, 4pin	

DIMENSIONS



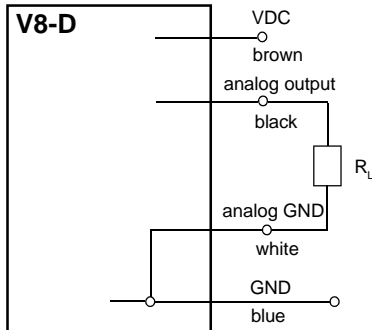
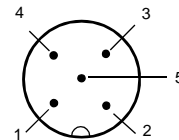
CONNECTION-DIAGRAM



PIN layout in power supply connector

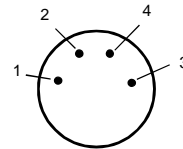
option - 1 : connector M12, 5pin

- 1 (brown) + VDC
- 2 (white) analog GND
- 3 (blau) GND
- 4 (black) analog out
- 5 -- not connected

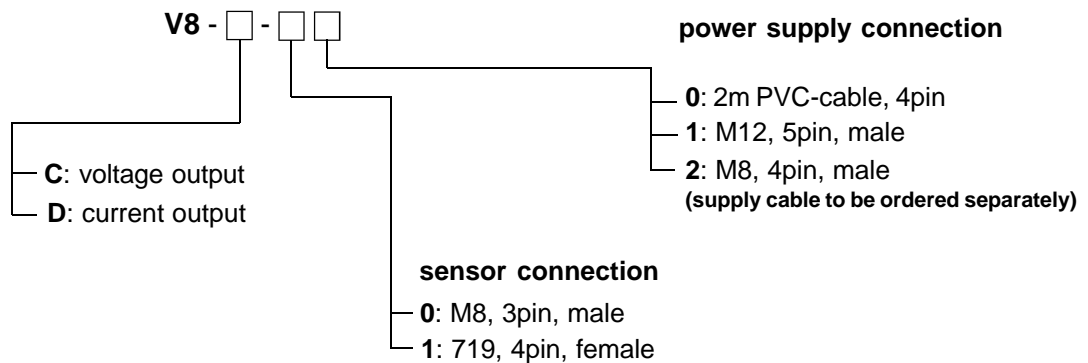


option - 2 : connector M8, 4pin

- 1 (brown) + VDC
- 2 (white) alarm output
- 3 (blue) GND
- 4 (black) signal output



PART DESIGNATION



ORDER EXAMPLE:

V8-C-02 = voltage output / sensor M8, 3pin / Versorgung M8, 4pin