

V9

SWITCHING AMPLIFIER WITH TEACH-IN

- ⊃ fully compatible with all STM-sensors to be operated with a separat amplifier
- ⊃ Auto-Teach and manual adjustment
- ⊃ pulse stretching 50ms, selectable
- ⊃ Light On / Dark On, selectable
- ⊃ PNP or NPN



GENERAL TECHNICAL DATA

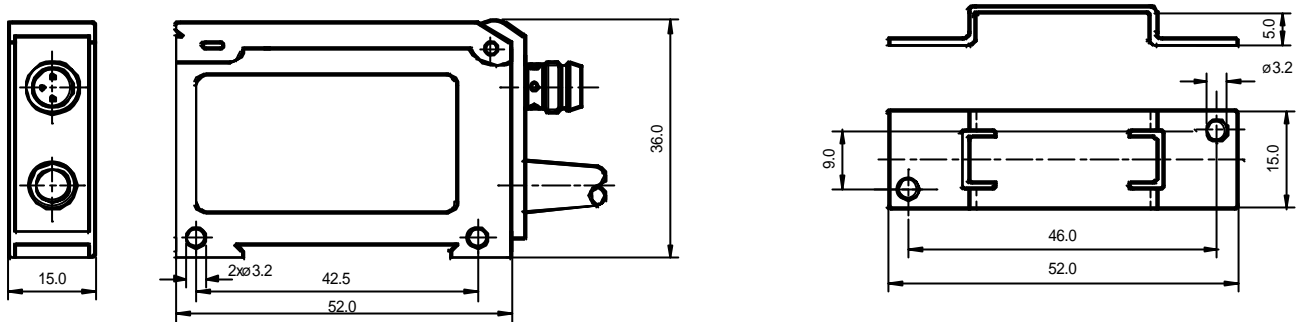
	V9-AP	V9-AN	V9-BP	V9-BN	V9-FP	V9-FN	V9-YP	V9-YN	V9-XP	V9-XN
switching logic	PNP	NPN	PNP	NPN	PNP	NPN	PNP	NPN	PNP	NPN
functional principle	non pulsed**		pulsed							
frequency response	5KHz		500Hz		3KHz		500Hz		350Hz	
max. response time	180µs		1,1ms		270µs		1,1ms		1,6ms	
current consumption (average / peak)	45mA/45mA		40mA/180mA		40mA/90mA		30mA/110mA		35mA/180mA	
max. sensing distance / range*	33%		100%		33%		75%		100%	
power supply indicator / signal stability	LED green									
output status indicator	LED yellow									
pulse stretching	0 / 50 ms (selectable)									
operating voltage	10 to 30 VDC (max.), reverse polarity									
output current	100 mA, short-circuit proof, reverse polarity									
weight	55 g									
housing material	ABS									
operating temperature	-10°C to +55°C									
protection class	IP 65									
power supply cable (standard)	2 m PVC-cable 3 x 0,14 mm ²									
optional with plug in supply***	M8, 4 pins									

*percentage of max. sensor rating (see individual sensor datasheet)

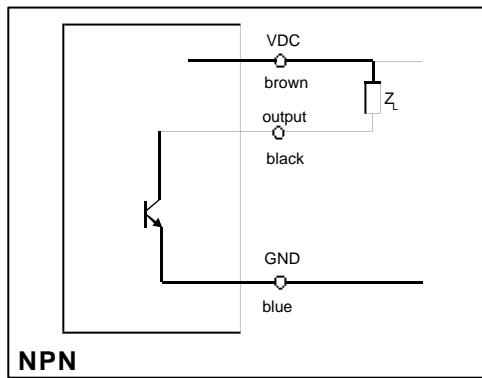
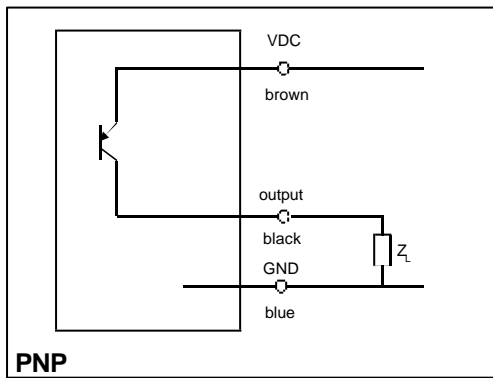
**may be influenced by ambient light

***cable to be ordered separately

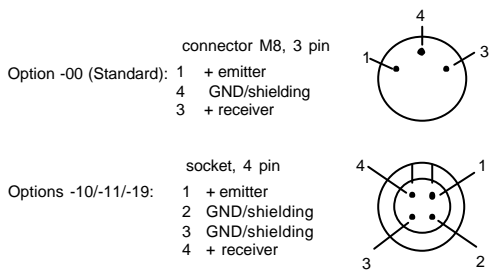
DIMENSIONS



CONNECTION-DIAGRAM



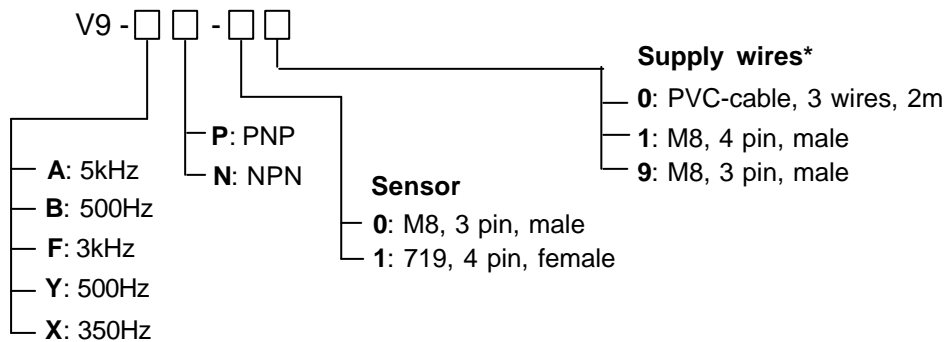
Sensor



In-/Output

- Option -00 (Standard) PVC-cable, 3 wires, 2m
- Option -10:
- brown + VDC
 - blue - GND
 - black Signal output
- Option -01/-11:
- connector M8 4pins
- 1 (brown) + VDC
 - 2 (white) not reserved
 - 3 (blue) - GND
 - 4 (black) Signal output
-
- Option -19:
- connector M8 3 pin
- 1 (brown) + VDC
 - 4 (black) Signal output
 - 3 (blue) - GND
-

PART DESIGNATION



*plug-in supply cable to be ordered separately!

ORDER EXAMPLE:

V9-BP-01 = 500Hz / PNP / sensor M8, 3 pin / supply M8, 4pins