

V9N-BP • V9N-BN

SWITCHING AMPLIFIER with Teach-in

- ➔ Compatible with all nanoSPOT sensors
- ➔ Auto-Teach and manual adjustment
- ➔ Standard resolution or high resolution selectable
- ➔ Light On / Dark On, selectable
- ➔ PNP or NPN



nano • SPOT®
nano • SPOT® is a new and powerful LED technology for miniaturized opto sensors

V9N-BP • V9N-BN

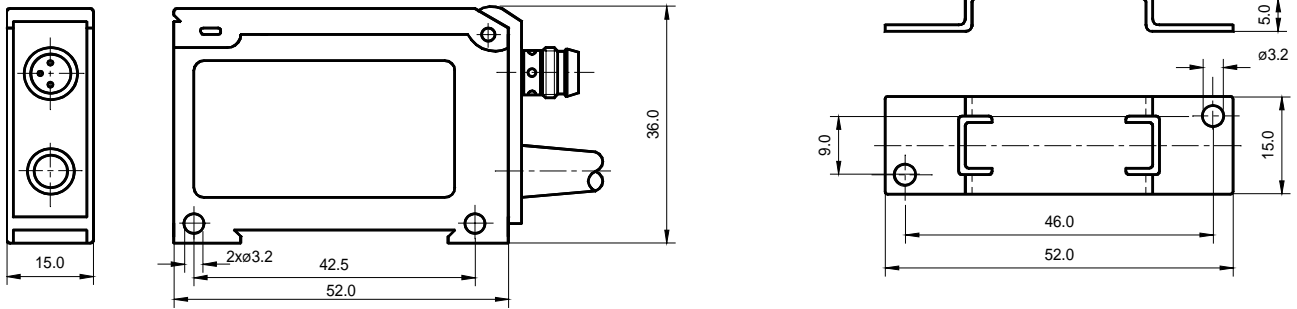
GENERAL TECHNICAL DATA

switching logic	PNP or NPN
functional principle	pulsed
frequency response	500Hz
max. response time	1,1ms
current consumption (average/peak)	25mA / 70mA
max. sensing distance*	100%
power supply indicator / signal stability	LED green
output status indicator	LED yellow
pulse stretching	0 / 50 ms (selectable)
operating voltage	10 - 30 VDC (max.), reversed polarity protection
output current	100mA, short circuit proof, reversed polarity protection
weight	55g
housing material	ABS
operating temperature	-10°C to +55°C
protection class	IP65
power supply cable (standard)	2m PVC-cable 3 x 0,14mm ²
optional with plug in supply**	M8, 4pins, male

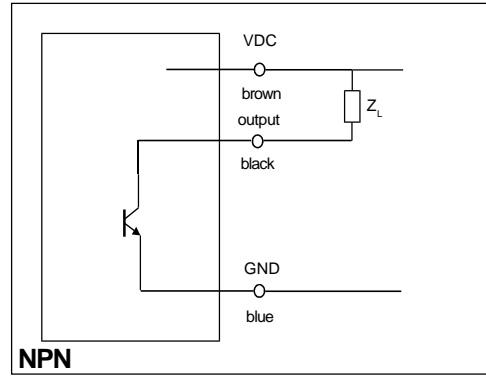
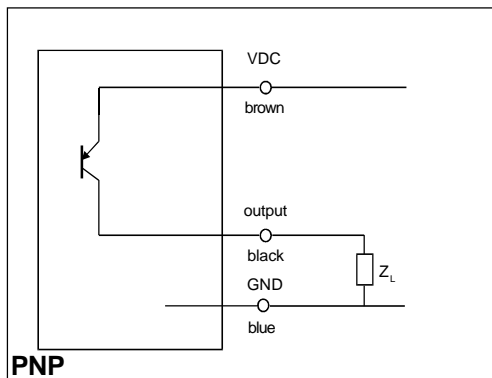
*percentage of max. sensor rating (see individual sensor datasheet)

**cable to be ordered separately

DIMENSION

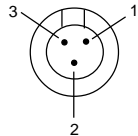


CONNECTION-DIAGRAM



Sensor

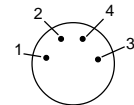
Option -20/-21: socket 719, 3pin
 1 + emitter
 2 GND/shielding
 3 + receiver



In-/Output

Option -20: PVC-cable, 3wires, 2m
 brown +VDC
 white NPN-signal output
 black PNP-signal output

Option -21: connector M8, 4pin
 1 (brown) + VDC
 2 (white) NPN-signal output
 3 (blue) - GND
 4 (black) PNP-signal output



PART DESIGNATION

V9N-BP-20 = 500Hz / PNP / sensor connector 719, 3pin / PVC-cable, 3wires, 2m
V9N-BP-21 = 500Hz / PNP / sensor connector 719, 3pin / supply M8, 4pin*

V9N-BN-20 = 500Hz / NPN / sensor connector 719, 3pin / PVC-cable, 3wires, 2m
V9N-BN-21 = 500Hz / NPN / sensor connector 719, 3pin / supply M8, 4pin*

*plug-in supply cable to be ordered separately!