

RL52 • RLM62 • RLV62 • RLV74





COMPACT REFLECTIVE BEAM SENSOR,
with integrated amplifier

- ◉ plug and play
- ◉ compact construction
- ◉ different housing designs
- ◉ highly flexible connecting cable



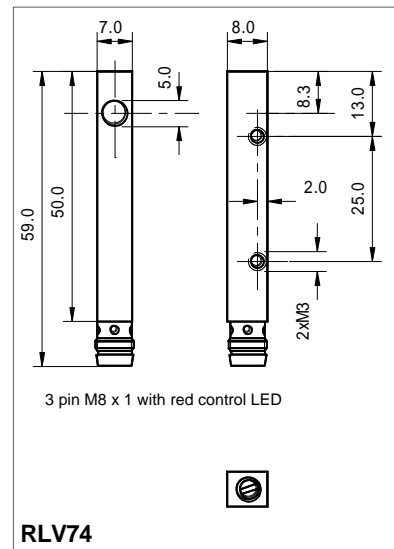
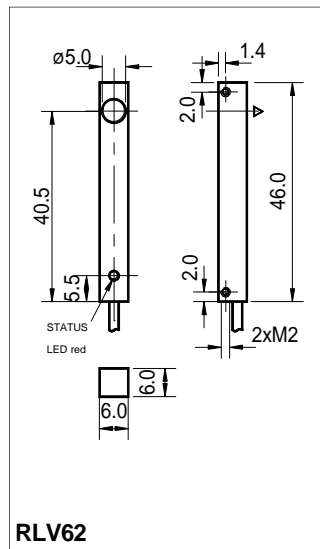
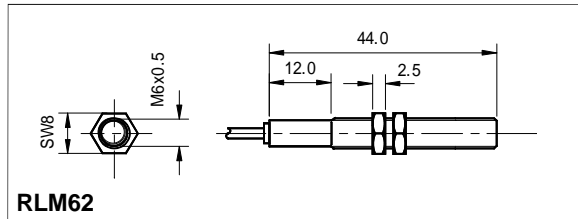
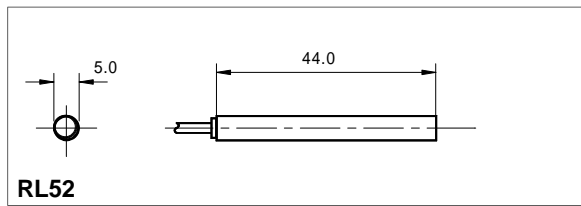
GENERAL TECHNICAL DATA

light type	Red 660nm or Infrared 880nm
temperature range	-10°C to 55°C
protection class	IP 65

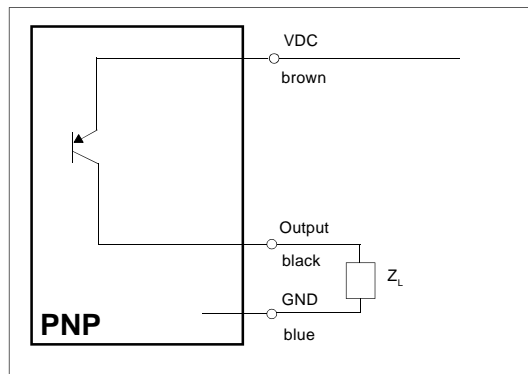
<ul style="list-style-type: none"> • Ø 5 mm x 45 mm • Stainless steel • f. gluing or clamping fixture 	<p>RL52</p>  <p>Actual size</p>
<ul style="list-style-type: none"> • M6 x 0,5 mm x 45 mm • Nickel-plated brass • f. screw-in fixture 	<p>RLM62</p>  <p>Actual size</p>
<ul style="list-style-type: none"> • 6 mm x 6 mm x 46 mm • Nickel-plated brass • f. screw-in fixture 	<p>RLV62</p>  <p>Actual size</p>
<ul style="list-style-type: none"> • 7 mm x 8 mm x 59 mm • Nickel-plated brass • f. screw-in fixture • built-in sensitivity adjustment and plug 	<p>RLV74</p>  <p>Actual size</p>

TYP	RL52	RLM62	RLV62	RLV74
functional principle	pulsed light			
frequency response	500 Hz			
function indicator	LED red			
operating voltage	10..30 VDC reverse polarity protection			
current consumption	30 mA			
output current	PNP 100 mA short-circuit proof			
switching distance	max. 50 mm on white photographic paper			
	max. 600 mm on reflecting foil			
power supply cable	2 m PUR-cable 3 x 0,09 mm ²			see accessories

DIMENSIONS



CONNECTION DIAGRAM



ORDER EXAMPLE:

RL52-BHP	infrared	pulsed	light-on	PNP-output
RLM62-BHP	infrared	pulsed	light-on	PNP-output
RLV62-BHP	infrared	pulsed	light-on	PNP-output
RLV74-BHP	infrared	pulsed	light-on	PNP-output
RL52R-BHP	red	pulsed	light-on	PNP-output
RLM62R-BHP	red	pulsed	light-on	PNP-output
RLV62R-BHP	red	pulsed	light-on	PNP-output
RLV74R-BHP	red	pulsed	light-on	PNP-output

RLV74BHP requires appropriate power supply cable:

VK3G	Power supply cable with plug, locking device (refer to Options)
VK3W	Power supply cable with plug, locking device, angle type