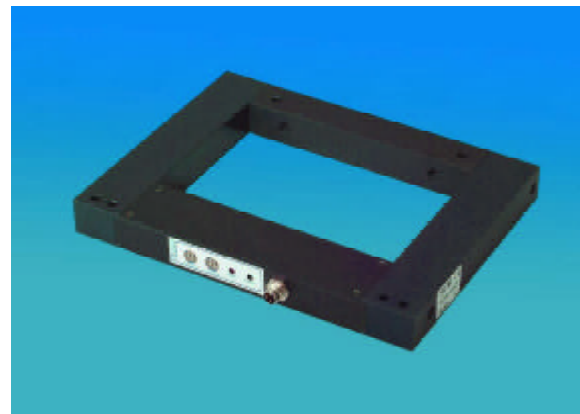


RLS080-120

STANDARD OPTICAL FRAME SENSOR

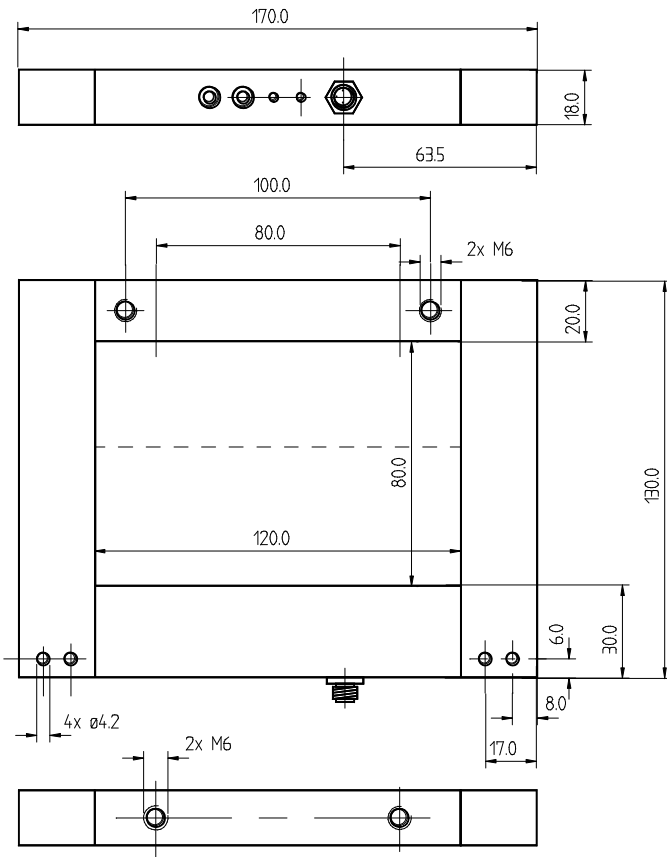
- ◉ dynamic working principle
- ◉ ideal for part ejection control
- ◉ manual adjustment
- ◉ robust design



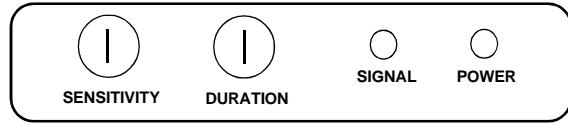
GENERAL TECHNICAL DATA

operating voltage	10...30 VDC, reversed polarity protection
current consumption	120 mA
output	PNP or NPN, 200mA, short-circuit proof
switching function	dark-on, dynamic
light type	Infrared
operating state indicator	LED green
function indicator	LED red
switching delay	440µsec
pulse stretching	7 ms to 300 ms (adjustable)
temperature range	-10°C to +55°C
protection class	IP65
opening	80 mm (active side) x 120 mm
dimensions (w x d x h)	170 mm x 130 mm x 18 mm
housing	aluminium, black anodized
resolution (smallest part)	objects ≥ 2 mm
counting frequency	function of pulse stretching (max. 140 parts /s)
plug	M8 locking device, 3 pins, IP65

DIMENSIONS



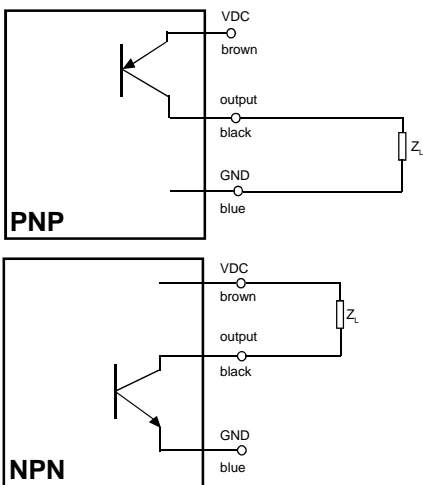
OPERATING CONTROLS



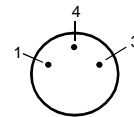
(270° - potentiometers)

- operating state (Power) LED green
- function indicator (Signal) LED red
- resolution (Sensitivity)
- impuls stretching (Duration)

CONNECTION DIAGRAM



SUPPLY AND OUTPUT



- 1 (brown) VDC
- 4 (black) output
- 3 (blue) GND

(supply cable to be ordered separately)

PART DESIGNATION

RLS080-120-ADP:	non-pulsed	dark-on	PNP-output
RLS080-120-ADN:	non-pulsed	dark-on	NPN-output