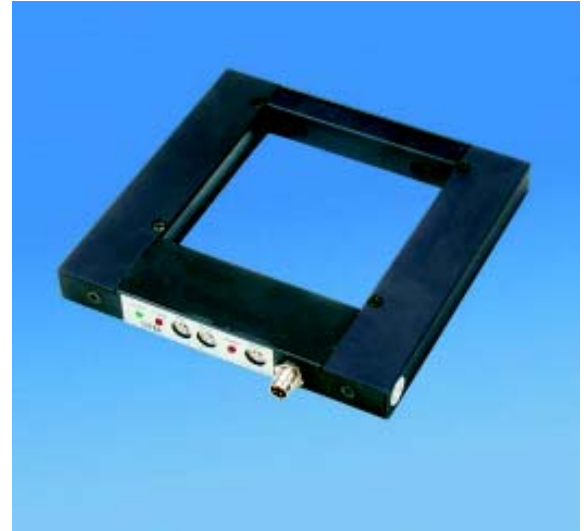


RLSMxxx-yyy-BP/N

MODULAR OPTICAL FRAME SENSOR

- static -

- ▷ static working principle
- ▷ NPN and PNP in the same device
- ▷ flat design
- ▷ self-teach
- ▷ 16 different sizes
- ▷ ideal for part counting



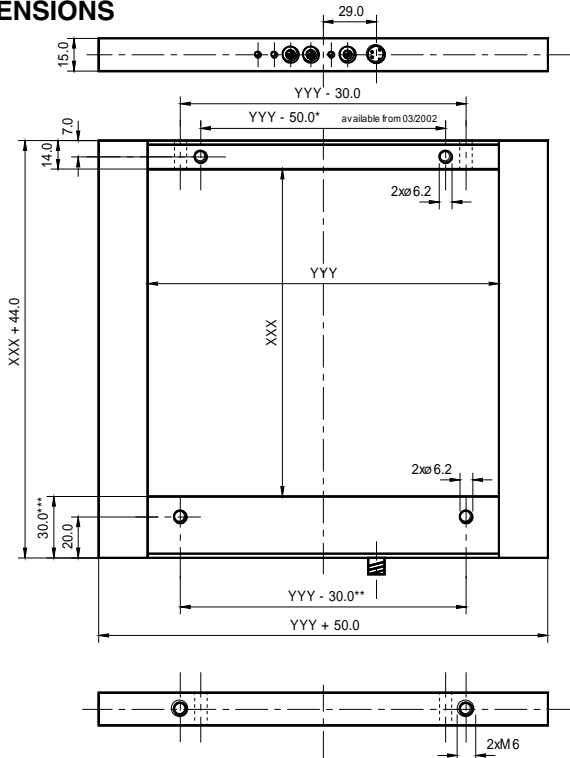
RLSMxxx-yyy-BP/N

TECHNICAL DATA

operating voltage	15-30 VDC reversed polarity protection (dependent on size; 24 VDC f. all sizes recommended)		
current consumption	< 750mA, depending on the passive length		
output	PNP and NPN, 200mA, short circuit proof		
functional principle	static		
functional indicator	operation	LED green	
	output signal	LED yellow	
	warning	LED red	
pulse stretching	50 ms, selectable		
switching function	dark-on, output, NO/NC selectable		
temperature range	-10°C to +55°C		
protection class	IP65		
lengths of active sides	different sizes; (see back side)		
housing	aluminium, black anodized		
optical filter material	PMMA		
connector	M8 locking device, 4 pins, IP65		
light type	infrared, pulsed		

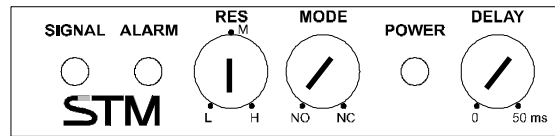
active lengths xxx (mm)	40	80	120	160	200	360	400
switching delay (ms)	0,25	0,5	0,75	1	1,25	1,125	1,25
counting frequency (Hz)	2000	1000	667	500	400	444	400
resolution (mm)							
- switch position:							
high (H)	2	2	2	2	2	4	4
medium (M)	4	4	4	4	4	8	8
low (L)	8	8	8	8	8	16	16

DIMENSIONS



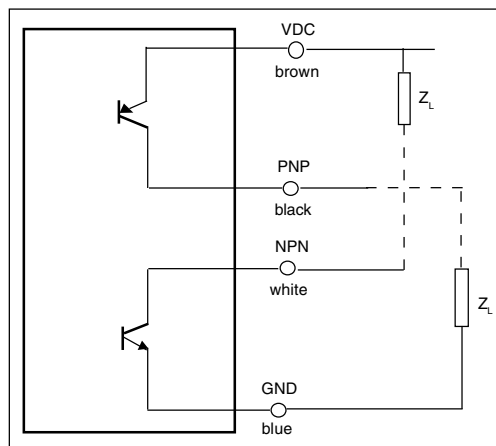
RLSM XXX/YYY
 XXX=active side
 YYY=passiv side

* mounting holes with XXX/080 dimension
 ** mounting holes with XXX/120 dimension
 *** 40.0mm if YYY=040

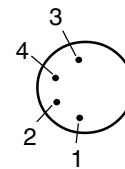


- power supply indicator (Power) LED green
- function indicator (Signal) LED yellow
- alarm indicator (Alarm) LED red
- resolution (RES)
 - low (L)
 - medium (M)
 - high (H)
- switching function (Mode)
 - close (NO)
 - open (NC)
- pulse stretching (Delay)
 - off (0)
 - 50ms

WIRING AND CONNECTION



SUPPLY AND OUTPUT



1 (brown) VDC
 2 (white) signal output NPN
 3 (blue) GND
 4 (black) signal output PNP

(supply cable to be ordered separately)

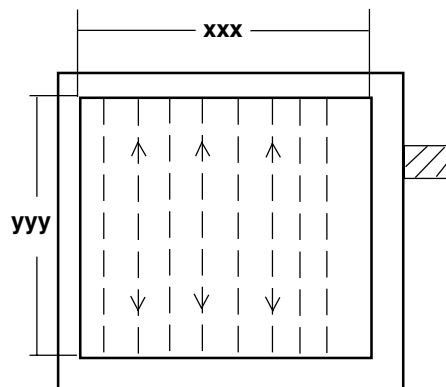
PART DESIGNATION

RLSMxxx-yyy-BP/N:

pulsed

PNP-output + NPN-output

ORDER EXAMPLE:



RLSM 160 - 120-BP/N

xxx | yyy

xxx = lengths of the active sides
 (contains emitter and receiver LED's)
 = multiple of 40mm,
 e.g. 4 x 40 mm = **160 mm**

yyy = lengths of passive sides
 = multiple of 40mm
 e.g. 3 x 40 mm = **120 mm**

AVAILABLE SIZES:

RLSM040-040, RLSM 040-080, RLSM080-080, RLSM080-120, RLSM120-080, RLSM120-120, RLSM120-160, RLSM160-120, RLSM160-160, RLSM160-200, RLSM200-160, RLSM200-200, RLSM200-240, RLSM360-360, RLSM360-400, RLSM400-400