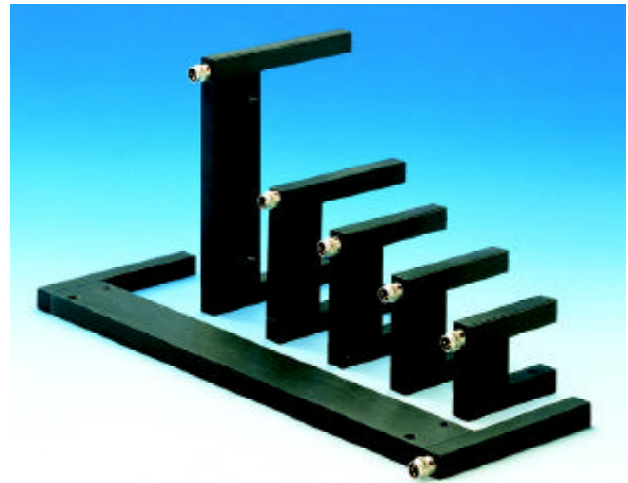


GLS

MODULAR LIGHT FORK SENSOR

- ◉ pre-packaged, very easy to mount through beam sensor (perfect for all standard through beam applications)
- ◉ integrated amplifier
- ◉ high resolution
- ◉ PNP or NPN
- ◉ 48 different „standard“ dimensions
- ◉ custom dimensions available



GENERAL TECHNICAL DATA

operating voltage	10... 30 VDC, reverse polarity
current consumption	< 30 mA
output	PNP or NPN
output current	max. 100 mA, short circuit proof
function indicator	LED, red (on the connector)
alarm indicator	output LED blinks at 16 Hz
frequency response	2000 Hz
functional principle	pulsed light
switching function	light-on or dark-on
light type	IR 880 nm
response time	0,25 ms
sensitivity adjustment	Potentiometer, in the front, 270°
housing material	aluminium, black anodized
operating temperature	-10°C...+55°C
protection class	IP 65
connector	M8, 3 pin, male*

*supply cable to be ordered separately

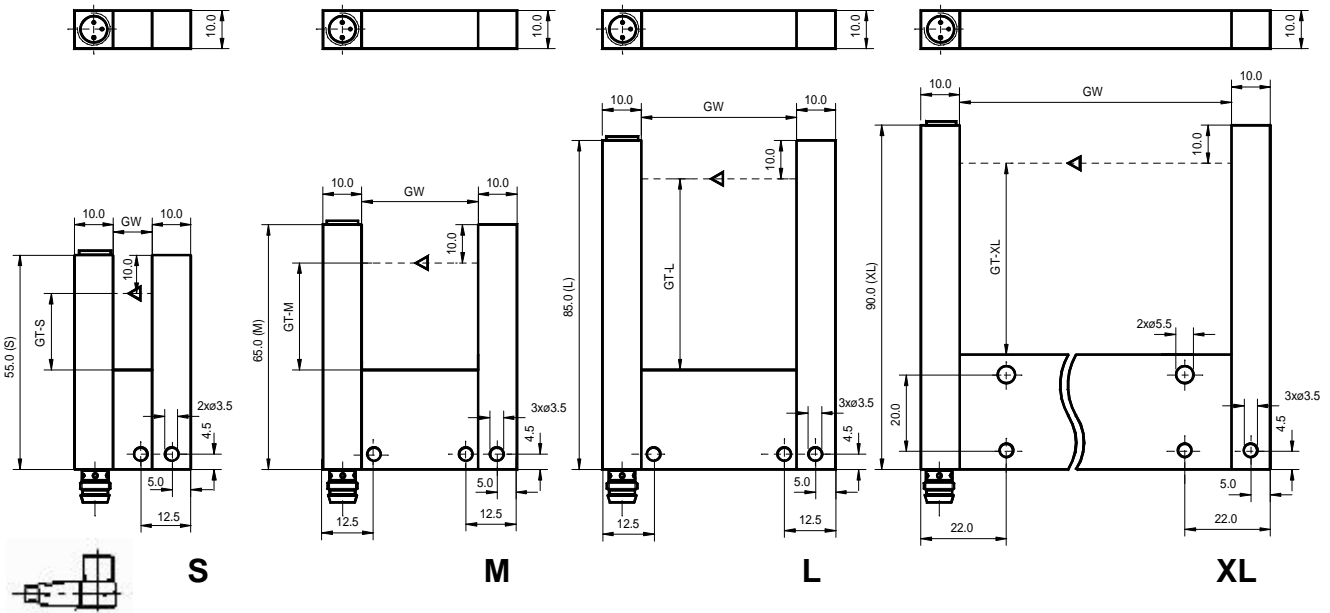
fork width (mm)	resolution	reproducibility	hystereses
05*	0,4 mm	0,02	≤ 0,1
10*	0,4 mm	0,02	≤ 0,1
20*	0,4 mm	0,02	≤ 0,1
30*	0,4mm	0,02	≤ 0,1
40*	0,4mm	0,02	≤ 0,1
50*	0,4 mm	0,02	≤ 0,1
80*	0,4 mm	0,02	≤ 0,1
100**	0,5 mm	0,03	≤ 0,1
120**	0,5 mm	0,03	≤ 0,1
150**	0,5 mm	0,03	≤ 0,1
200**	0,5 mm	0,03	≤ 0,1
250**	0,8 mm	0,04	≤ 0,1

leg lengths: S = 55 mm
 M = 65 mm
 L = 85 mm
 XL = 90 mm

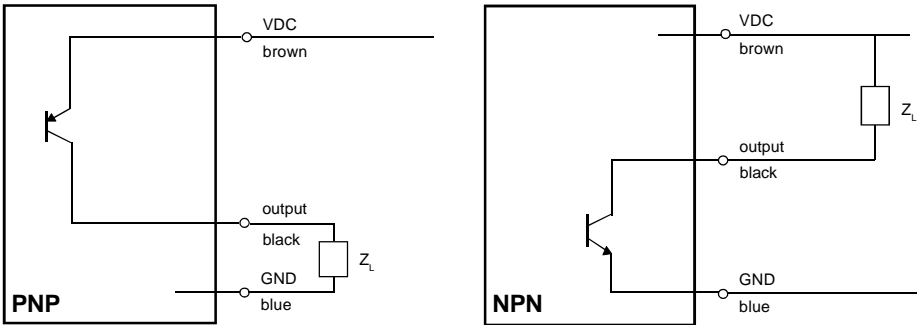
* body material 25 mm wide
 (v. drawing GLSS, GLSM, GLSL)

** body material 30 mm wide
 (v. drawing GLSXL)

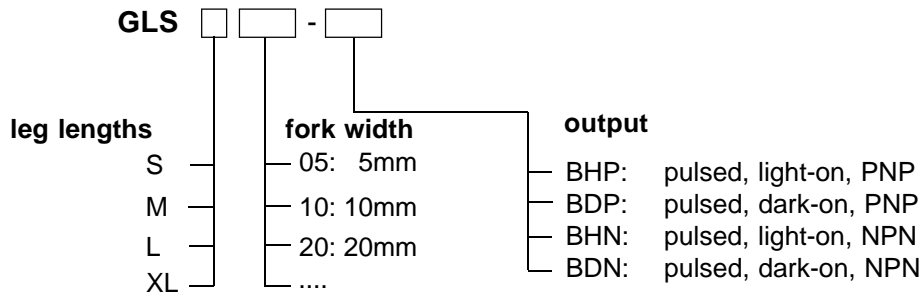
DIMENSIONS



CONNECTION DIAGRAM



PART DESIGNATION



Do not forget to order the appropriate power supply cable!

ORDER EXAMPLE: GLSM50-BHP = leg lengths M / fork width 50 - pulsed, light-on, PNP